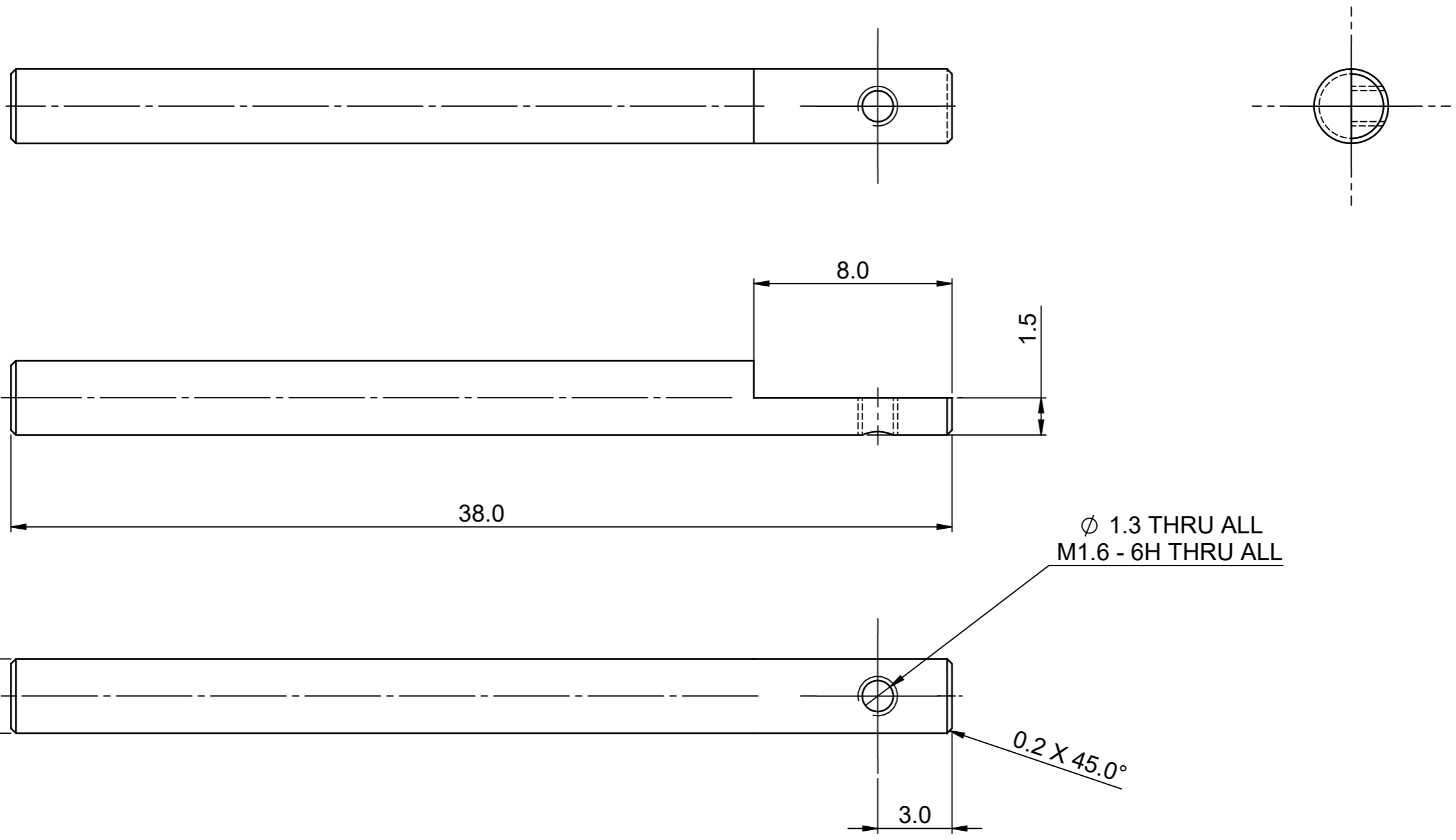


DO NOT SCALE.
IF IN DOUBT ASK.
BS 8888

THIRD ANGLE PROJECTION



THIS DRAWING, ENGINEERING REPORT OR DOCUMENT IS COPYRIGHT AND PROPERTY IS RESERVED THEREIN AND THE INFORMATION CONTAINED THEREIN IS CONFIDENTIAL. THIS DRAWING, ENGINEERING REPORT OR DOCUMENT AND INFORMATION MAY NOT BE REPRODUCED OR COMMUNICATED TO A THIRD PARTY OR USED FOR ANY PURPOSE OTHER THAN THAT FOR WHICH IS SUPPLIED WITHOUT THE PRIOR WRITTEN CONSENT OF PETER JACKMAN.

LAST CHANGE DETAIL \triangle			KEY CHARACTERISTICS IDENTIFIED BY THE FOLLOWING SYMBOL \boxtimes			TOLERANCES UNLESS STATED		DIMENSIONS mm		UNLESS OTHERWISE STATED CHAMFER OR RADII 0.13 (0.005") MAX. REMOVE BURRS & SHARP EDGES. DIMENSIONS APPLY AFTER PLATING	
ISS.	DATE	DRAWN	ISS.	DATE	DRAWN	0. ± 0.4	ESTIMATED MASS 1.86g	MATERIAL Plain Carbon Steel		TITLE PISTON ROD	
						0.0 ± 0.1					
						0.00 ± 0.05	SCALE 2:1	FINISH SELF COLOUR		DRAWING NUMBER PUG PISTON ROD	
						ANGULAR ± 0.5°					
						SURFACE FINISH 3.2/		MADE FROM 3MM SILVER STEEL		SHEET 1 OF 1	
A	29/05/2023	P.R.J.									