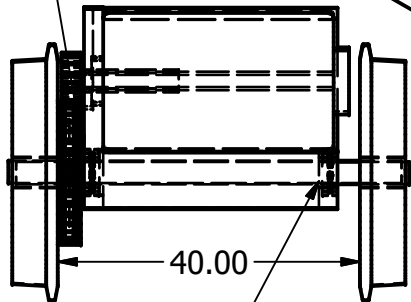
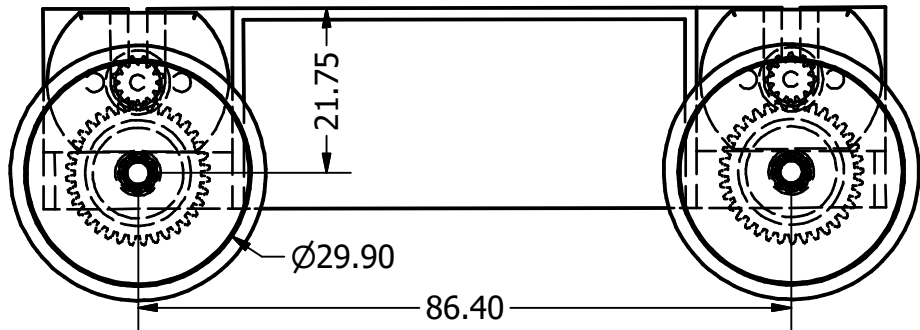


Drive End  
Ball Race MR63



40.00

Non Driven End  
Plain Bearing  
3mm ID 4mm OD



21.75

Ø29.90

86.40

DRAWN	Malcolm	23/03/2022
CHECKED		
QA		
MFG		
APPROVED		

TITLE		
Drive unit with 36 tooth gear.		
SIZE	DWG NO	REV
A4	Drive unit	
SCALE	SHEET 1 OF 1	